



INSTRUCTION MANUAL

HAND BLENDER



Article no.	Model no. / Item no.	EAN
10340366	HB989 (SR 709385-2)	6001001430647
10532242	HB989 (SR 774423-5)	6001224344288
10532243	HB989 (SR 774425-9)	6001224344295

INDOOR HOUSEHOLD USE ONLY

Please save and read this instruction manual carefully before use.

INTRODUCTION

Thank you for purchasing our “Platinum” Hand Blender. Each unit has been manufactured to ensure safety, reliability, and ease of use. Before use, please read these instructions carefully and save them for future reference.

IMPORTANT SAFEGUARDS

When using your “Platinum” Hand Blender, basic precautions should always be followed, including the following:

- If the supply cord is damaged, it must be replaced by the manufacturer, its service agent or similarly qualified persons in order to avoid hazard.
- This appliance is not intended for use by persons (including children) with reduced physical, sensory or mental capabilities, or lack of experience and knowledge, unless they have been given supervision or instruction concerning use of the appliances by a person responsible for their safety.
- Close supervision is required when any appliance is used near children or invalids.
- Always ensure that the voltage on the rating label corresponds to the voltage in your home.
- Check the power cord and plug regularly for any damage. If the cord or the plug is damaged, it must be replaced by the manufacturer or a qualified person in order to avoid an electrical hazard.
- This appliance is intended for household use only. Industrial or commercial use will void the warranty, and the supplier can not be held responsible for injury or damage caused when using the appliance for any other purpose than that intended.
- Incorrect operation and improper use can damage the appliance and cause injury to the user.
- Do not use the appliance if it has been dropped or damaged in any way. In case of damage, take the unit in for examination and/or repair by an authorized service agent.
- To reduce the risk of electric shock, do not immerse or expose the motor assembly, plug or the power cord to water or any other liquid.
- Never immerse the unit in water or any other liquid for cleaning purposes.
- Remove the plug from the socket by gripping the plug. Do not pull on the cord to disconnect the appliance. Always unplug the unit when not in use, before cleaning or when adding or removing parts.
- The use of accessory attachments that are not recommended or supplied by the manufacturer may result in injuries, fire or electric shock.
- Do not let the cord hang over the edge of a table or counter. Ensure that the cord is not in a position where it can be pulled on inadvertently.
- Do not allow the cord to touch hot surfaces and do not place on or near a hot gas or electric burner or in a heated oven.

ENGLISH

- Use of an extension cord with this appliance is not recommended. However, if it is necessary to use an extension lead, ensure that the lead is suited to the power consumption of the appliance to avoid overheating of the extension cord, appliance or plug point. Do not place the extension cord in a position where it can be pulled on by children or animals or tripped over.
- This appliance is not suitable for outdoor use. Do not use this appliance for anything other than its intended use.
- Do not carry the appliance by the power cord.
- Do not leave this appliance unattended during use. Always unplug the unit when not in use. Allow it to cool before putting on or taking off parts, and before cleaning the appliance.
- Always operate the appliance on a smooth, even and stable surface. Do not place the unit on a hot surface.
- The manufacturer does not accept responsibility for any damage or injury caused by the improper or incorrect use of the appliance, or by repairs carried out by unauthorized personnel.
- In case of technical problems, switch off the machine and do not attempt to repair it yourself. Return the appliance to an authorized service facility for examination, adjustment or repair. Always insist on the use of original spare parts. Failure to comply with the above mentioned precautions and instructions, could affect the safe operation of this machine.
- Avoid contacting moving parts.
- Keep hands and utensils out of container while blending to reduce the risk of severe injury to persons or damage to the blender. A scraper may be used but must be used only when the Blender is not running.
- The appliance cannot be used for chopping ice or blending hard and dry substance, otherwise the blade could be blunted.
- To reduce the risk of injury, never place cutting blade on base without first putting bowl properly in place.
- Be sure chopper lid is securely locked in place before operating appliance.

KNOW YOUR BLENDER

1. Detachable blending rod
2. Motor unit
3. Whisk
4. Detachable chopper
5. Chopper Bowl
6. Mixing cup
7. Wall bracket



SPECIFICATION

Speed : 2 speeds
 Voltage : 230V~ 50Hz
 Wattage : 300W

Plug	Article no.	Model no. / Item no.	EAN
VDE Plug	10340366	HB989 (SR 709385-2)	6001001430647
3 Flat Pin	10532242	HB989 (SR 774423-5)	6001224344288
Schuko	10532243	HB989 (SR 774425-9)	6001224344295

USING YOUR HAND BLENDER

You must read all instructions before using.

Before the first use, clean the Blender according to the section of “quick cleaning”.

The time running unit without load can't exceed 15s.

Important: Blades are very sharp, handle with care. Ensure that the Hand Blender is unplugged from the power outlet before assembling or removing attachments.

Note:

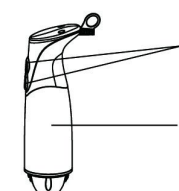
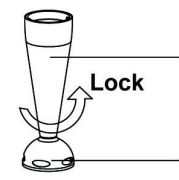
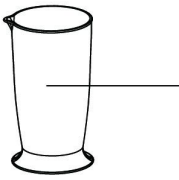
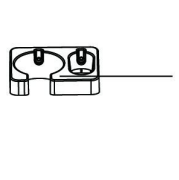
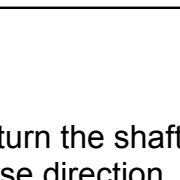
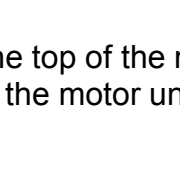
- Avoid contacting moving parts.
- Keep hands and utensils out of container while blending to reduce the risk of severe injury to persons or damage to the blender. A scraper may be used but must be used only when the Blender is not running.
- The appliance cannot be used for chopping ice or blending hard and dry substance, otherwise the blade could be blunted.
- To reduce the risk of injury, never place cutting blade on base without first putting bowl properly in place.
- Be sure chopper lid is securely locked in place before operating appliance.

TO USE YOUR HAND BLENDER

Note: It is recommended to operate the appliance not more than one minute for each blending period. The appliance should be stopped to cool down to room temperature before using it again.

Instruction for Handle Blender

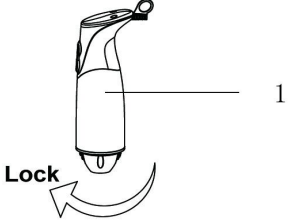
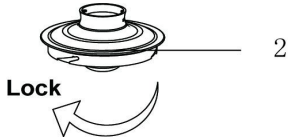

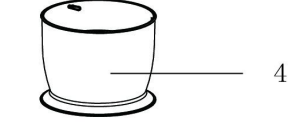
Blender (It is suitable for blending vegetable and fruit)

1	Low and high speed switch (from up to down, not shown)		1
2	Motor unit		2
3	Detachable blending rod (turn it anti-clockwise to lock with motor, to unlock, turn it in adverse direction)		3
4	Blade (not shown)		4
5	Mixing Cup (the max capacity is 700mL, it is ideal for taking measurements and preparing small quantities of processed food)		5
6	Wall bracket (Hook the bleander or detachable stem in big hole after using)		6

1. To assemble the detachable blending rod with the motor unit, turn the shaft anti-clockwise direction until tightened. To disassemble, just turn in the adverse direction.
2. Simply plug the Hand Blender to power outlet.
3. Lower the Hand Blender into food and depress the switch at the top of the motor unit.
4. To stop the Hand Blender by releasing the switch at the top of the motor unit.

Instruction for Chopper

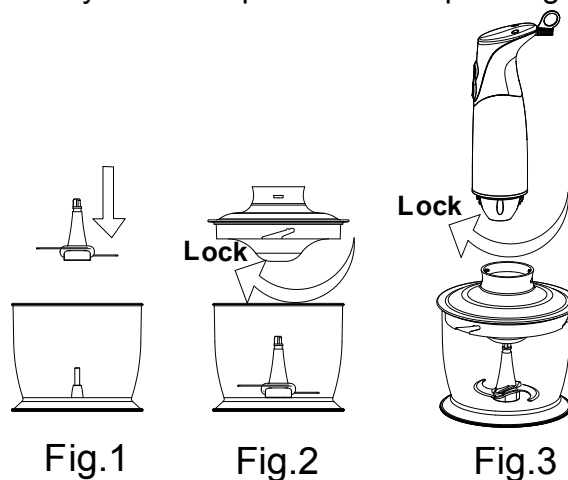
Accessory-chopper (Using for chopping meat and making garlic paste)

1	Motor unit(turn the motor unit in clockwise to lock with the chopper lid)	 <p>Diagram 1 shows the motor unit (1) being inserted into the chopper lid. A curved arrow labeled 'Lock' indicates a clockwise rotation to secure the unit.</p>
2	Detachable chopper lid(turn it in clockwise to lock with chopper bowl, to unlock, turn it in adverse direction)	 <p>Diagram 2 shows the chopper lid (2) being placed onto the chopper bowl. A curved arrow labeled 'Lock' indicates a clockwise rotation to lock the lid.</p>
3	Detachable chopper blade(the blade is very sharp.Handle with care to avoid any cuts,always handle the plastic shaft)	 <p>Diagram 3 shows the detachable chopper blade (3) being inserted into the chopper bowl.</p>
4	Chopper Bowl(Place the food into it prior attaching the chopper lid)	 <p>Diagram 4 shows the chopper bowl (4) with a line pointing to it from the number 4.</p>

1. Place the chopper bowl on a clean, level surface.
2. Assemble the stainless steel blade into the chopper bowl, as shown in Fig.1.
3. Place food into the chopper bowl.
Note: remove the bone of the meat, cut small piece, then place the meat into bowl, the max quantity of meat can't exceed 200g in every blending.
4. Attach the Lid onto the chopper bowl and turn it in clockwise direction until it locks into position. (see Fig.2) To detach the lid, turn in adverse direction.
5. Insert the top part of the chopper into the hole of the chopper lid, and turn in clockwise direction to lock. (See Fig.3)
6. Plug the appliance to power outlet and depress the switch to begin operation.
7. To stop the appliance release the switch at the top of the motor unit.

Caution:

- To reduce the risk of injury, never place cutting blade on base without first putting bowl properly in place.
- Be sure chopper lid is securely locked in place before operating appliance.



Instruction for Egg white beater

Accessory- Egg white beater (for mixing egg white)

1	Motor unit(turn the motor unit in clockwise to lock with the beater)	
2	Whisk (it is used to whisk the egg white, the whisked egg white can be made cream)	
3	Mixing Cup (Place two egg white in the cup for one time)	

1. To assemble the egg white beater with the motor unit, turn the whisk anti-clockwise direction until tightened. To disassemble, just turn in the adverse direction.
2. Simply plug the Hand Blender to power outlet.
3. Place egg white into the cup, generally, put two egg white is enough.
4. Lower the Hand Blender into food and depress the switch at the top of the motor unit.
5. To stop the Hand Blender release the switch at the top of the motor unit.

Fixing wall bracket

You can fix the wall bracket as following:

- 1) Drill two same holes in wall and strictly follow the dimension as indicated in the fig.4
- 2) Knock two plastic tubes in them with hammer.
- 3) Secure the bracket on wall with another two screws.

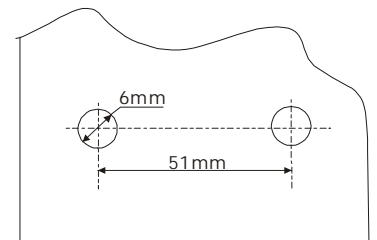


Fig. 4

CARE AND CLEANING

1. Unplug the appliance and remove the detachable stem.
Note: Do not immerse the detachable stem of the Blender in water because overtime the lubrication on the bearings may wash away. Wash the detachable stem under running water, without the use of abrasive cleaner or detergents. After finishing cleaning the detachable stem, place it upright so that any water which may have got in, can drain out. The stem is dishwashing safe component.
2. Wash the cup, chopping bowl, beater and blade in warm soapy water. The bowl and the beater are not recommend to place in dishwashing machine as the plastic component deteriorate through prolonged use of dishwasher cleaning.
3. Wipe the motor unit with a damp cloth. Never immerse it in water for cleaning as electric shock may occur.
4. Dry thoroughly.
Caution: Blades are very sharp, handle with care.
5. Reassemble the blender stem to motor unit then place it upright in wall bracket (see Fig.5) or hang it up for saving space.

Quick cleaning

Between processing tasks, hold the Hand Blender in the cup half filled with water and turn on for a few seconds.

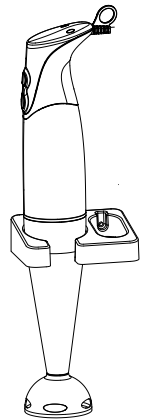


Fig. 5

WARRANTY

**PLEASE AFFIX YOUR RECEIPT/PROOF OF PURCHASE HERE.
IN THE EVENT OF A CLAIM UNDER THIS WARRANTY THE AFORESAID
RECEIPT/PROOF OF PURCHASE MUST BE PRODUCED TOGETHER WITH THIS
WARRANTY.**

Model number	(Lot number:)
Product name	
Date of purchase	
Place of purchase	

1. The party selling the product (“the seller”) to the original purchaser of this product (“the customer”) hereby warrants that this product will be of good quality and, in good working order and, free of defects and suitable for its intended purpose under normal household use, for a period of 1 (one) year from the date of purchase (“warranty period”) of this product.
2. In the event that the warranty period has not lapsed and the product is not of a good quality, or in good working order or, is defective or is not suitable for its intended purpose under normal household use, the customer may, subject to paragraph 3 below, return the product to the seller and have the following options available:
 - 2.1 Within the first 6 (six) months of the warranty: to receive a refund of the actual price paid or to exchange the product for the same or similar product of the same purchased value;
 - 2.2 Within the second 6 (six) months of the warranty: to have the product exchanged for the same or similar product of the same purchased value.
3. The seller will not replace the product or refund the customer in terms of this warranty if the product:
 - 3.1 has been altered contrary to the instructions provided in the product manual;
 - 3.2 has been misused, abused or tampered with;
 - 3.3 is defective or not in working order due to ordinary wear and tear;
 - 3.4 is damaged resulting from the customer’s gross negligence, recklessness, malicious behavior or criminal conduct;
 - 3.5 has been utilised for commercial use.
4. This warranty applies only to the product that has been purchased from the seller and not to any expendables attached to or installed on the product by the customer.
5. Any claim in terms of this warranty must be supported by the original proof of purchase.
6. Note that the exchange item will only carry the balance of the warranty period as from the original date of purchase.

INTRUÇÃO

Obrigado pela sua compra da nossa “Platinum” O Liquidificador de mão. Cada unidade foi manufaturada para assegurar a segurança, a confiabilidade, e a facilidade de utilização. Antes de usar, por favor leia estas instruções com cuidado e conserve-as para a referência futura.

PROTEÇÕES IMPORTANTES

Quando usar a sua “Platinum” O Liquidificador de mão, as precauções básicas devem sempre ser seguidas, incluindo o seguinte:

- Se o cabo de alimentação estiver danificado, ele deve ser substituído pelo fabricante, seu agente de serviço ou pessoas com qualificações semelhantes, a fim de evitar riscos.
- Este dispositivo não destina-se a ser utilizada por pessoas (incluindo crianças) com potencialidades físicas, sensoriais ou mentais reduzidas, ou falta de visão ou forem dados a instrução a respeito do uso do dispositivo por uma pessoa responsável para sua segurança.
- As crianças devem ser supervisionadas para assegurar-se de que não joguem com o apparatus.
- Certifique-se de que a voltagem usada na casa corresponde à voltagem indicada na etiqueta.
- Verifique regularmente o cabo de força e o plugue para ver se há todos os danos. Se o cabo de alimentação ou o plugue estiver danificado, deve ser substituído pelo fabricante, ou por pessoa qualificado a fim de evitar um perigo elétrico.
- Este produto destina-se ao uso doméstico somente. O uso industrial ou comercial anulará a garantia, e o fornecedor não é responsável para ferimento ou danos causados ao usar o dispositivo para nenhuma outra finalidade.
- Operação e uso incorretos podem danificar o aparelho e causar danos ao usuário.
- Não use o aparelho se ele caiu ou foi danificado de alguma maneira. Em caso de dano, examine o aparelho e / ou repare por um agente autorizado.
- Para reduzir o risco de choque elétrico, não submergir ou exponha o motor, o plugue ou o cabo de alimentação à água ou qualquer outro líquido.
- Nunca submergir o aparelho na água ou outro líquido para limpeza.
- Retire o plugue da tomada segurando o plugue. Não puxe o cabo para desconectar o aparelho. Sempre desligue o aparelho quando não estiver em uso, antes de limpar ou quando adicionar ou remover peças.
- O uso dos acessórios não recomendado pelo fabricante do dispositivo pode causar os ferimentos,, incêndio ou choque elétrico.
- Não deixe o cabo pendurar sobre a borda da mesa ou do balcão. Garantir que o cabo não está em uma posição onde ele pode ser puxado descuidadamente.
- Não deixe o cabo tocar em superfícies quentes e não coloque sobre ou perto de um gás quente ou queimador elétrico ou em forno aquecido.a experiência e do conhecimento, a menos que forem sup

- O uso de um cabo de extensão com este aparelho não é recomendado. No entanto, se for necessário usar um cabo de extensão, certifique-se que o cabo é apropriado para o consumo de energia do aparelho para evitar o sobreaquecimento do cabo de extensão, equipamento ou ponto. Não coloque o cabo de extensão em uma posição onde ele pode ser puxado por crianças ou animais.
- Este produto destina-se ao uso doméstico somente. Não use este aparelho para outra finalidade.
- Não transporte o aparelho pelo cabo de alimentação.
- Não toque as superfícies quentes diretamente. Use os punhos ou os botões.
- Não deixe este aparelho sem supervisão durante o uso. Sempre desligue o aparelho quando não estiver em uso. Deixe esfriar antes de colocar ou retirar peças e antes de limpar o aparelho.
- Sempre opere o aparelho sobre uma superfície lisa, plana e estável. Não coloque o aparelho sobre uma superfície quente.
- O fabricante não se responsabiliza por qualquer dano ou prejuízo causado pelo uso indevido ou incorreto do aparelho, ou reparações efectuadas por pessoal não autorizado.
- Em caso de problemas técnicos, desligar o aparelho e não tente repará-lo para si mesmo. Retorne o aparelho a uma assistência técnica autorizada para exame, ajuste ou reparo. Sempre use as peças sobresselentes originais. A falha de operar de acordo com as precauções e as instruções mencionadas acima, podia afetar a operação segura desta máquina.
- Evitar o contato com partes móveis.
- Mantenha as mãos e os utensílios fora do recipiente enquanto mistura para reduzir o risco dos ferimentos graves às pessoas ou danos ao liquidificador. O raspador pode ser usado, mas deve ser usado somente quando o Blender não está funcionando.
- O aparelho não pode ser usado para cortar gelo ou misturar as substâncias duras e secas, caso contrário, a lâmina pode ser cega.
- Para reduzir o risco do ferimento, nunca coloque a lâmina cortante na base sem primeiramente colocar a taça no lugar apropriado.
- Certifique se a tampa talhador está certamente travada antes do aparelho operar.

CONHEÇA O SEU BLENDER

1. A vara destacável de mistura

2. Unidade motora

3. O batedor de arames

4. A talhador destacável

5. A taça talhador

6. O copo de mistura

7 O colchete de parede

**ESPECIFICAÇÕES**

velocidade : 2 velocidades

Voltagem : 230V~ 50Hz

Watt : 300W

Plugue	Artigo no.	Modelo no. / Item no.	EAN
Plugue VDE	10340366	HB989 (SR 709385-2)	6001001430647
3 Pino Plano	10532242	HB989 (SR 774423-5)	6001224344288
Schuko	10532243	HB989 (SR 774425-9)	6001224344295

Usando o seu Liquidificador de mão

Você deve ler todas as instruções antes de usar.

Antes da primeira utilização, limpe o liquidificador de acordo com a seção de "limpeza rápida". O tempo de corrida da unidade sem carga não pode exceder 15s.

Importante: As lâminas são muito afiadas, manuseie com cuidado. Garanta que o liquidificador de mão está desconectado da tomada antes de montar ou remover acessórios.

Nota:

- Evitar o contato com partes móveis.
- Mantenha as mãos e os utensílios fora do recipiente enquanto mistura para reduzir o risco dos ferimentos graves às pessoas ou danos ao liquidificador. O raspador pode ser usado, mas deve ser usado somente quando o Blender não está funcionando.
- O aparelho não pode ser usado para cortar gelo ou misturar as substâncias duras e secas, caso contrário, a lâmina pode ser cega.
- Para reduzir o risco do ferimento, nunca coloque a lâmina cortante na base sem primeiramente colocar a taça no lugar apropriado.
- Certifique se a tampa talhador está certamente travada antes do aparelho operar.

Para Usar o seu Liquidificador de mão

Nota: Recomenda-se operar o aparelho não mais de um minuto para cada período de mistura. O aparelho deve ser parado para esfriar a temperatura ambiente antes de usá-lo novamente

Instrução para manusear o Liquidificador

O liquidificador (É apropriado para misturar os legumes e as frutas)

1	O interruptor de baixa e alta velocidade(de cima para baixo, não é mostrado)	
2	Unidade motora	
3	A vara destacável de mistura(transformá-la anti-horário para travar com o motor, para destravar, transformá-la na direção adversa)	
4	A lamina(não é mostrado)	
5	O copo de mistura(a capacidade máxima é 700ml, é ideal para tirar medições e preparar pequenas quantidades de alimentos processados)	
6	O colchete de parede(Enganchar o liquidificador ou haste destacável em grande buraco após o uso)	

1. Para montar a vara destacável de mistura com a unidade motora, girar o eixo da direção anti-horária até apertado. Para desmontar, somente girar na direção adversa.
2. Basta ligar o liquidificador de mão para tomada.
3. Abaixo o liquidificador de mão na comida e pressione o interruptor na parte superior da unidade motora.
4. Para parar o liquidificador de mão, solte o interruptor na parte superior da unidade motora.

Instruções para Talhador

O talhador acessória (Usando para cortar carne e fazer pasta de alho)

1	Unidade motora(vire a unidade motora em sentido horário para travar com a talhador)	
2	A tampa da talhador destacável(transformá-la em sentido horário para travar com a taça talhador, para destravar, transformá-la na direção adversa)	
3	A lâmina da talhador destacável (as lâminas são muito afiadas.Manuseie com cuidado para evitar qualquer ferida, sempre manuseie com o eixo de plástico.)	
4	A taça talhador(Coloque o alimento na taça talhador antes de anexar a tampa da talhador)	

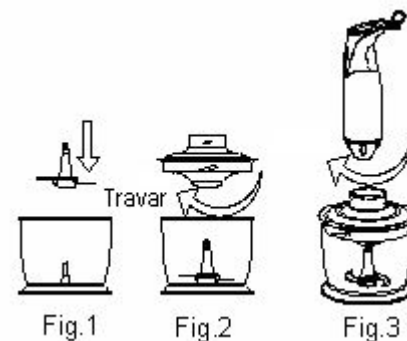
1. Coloque a taça talhador sobre uma superfície limpa e plana.
2. Montar a lâmina de aço inoxidável na taça talhador, como mostrado na Fig.1.
3. Coloque os alimentos na taça talhador.

Nota: remover o osso da carne, corte em peças pequenos, em seguida, coloque a carne na taça, a quantidade máxima de carne não pode exceder 200g em cada mistura.

4. Tape a tampa para cima da taça talhador e transformá-lo no sentido horário até que ela trave na posição. (ver Fig. 2)
Para retirar a tampa, gire na direção adversa.

5. Inserir a parte de cima da talhador para dentro do buraco da tampa da talhador, e gire no sentido horário para travar. (Veja Fig.3)

6. Ligue o aparelho à tomada elétrica e pressione o interruptor para começar a operação.
7. Para parar o aparelho, solte o botão no topo da unidade motora.



Atenção:

- Para reduzir o risco do ferimento, nunca coloque a lâmina cortante na base sem primeiramente colocar a taça no lugar apropriado.
- Certifique-se de que a tampa talhador está certamente travada antes do aparelho operar.

Instruções para o Batedor da clara de ovo.

O Batedor de clara de ovo acessório (para misturar clara de ovo)

1	Unidade motora(vire a unidade motora em sentido horário para travar com o batedor)	
2	O batedor de arames(ele é usado para bater a clara de ovo, a clara de ovo que está batido pode ser feita de creme)	
3	O copo de mistura(coloque duas claras de ovo no copo por uma vez)	

1. Para montar o batedor de clara de ovo com a unidade motora, gire o batedor de arames na direção anti-horário até apertado. Para desmontar, basta girar na direção adversa.
2. Basta ligar o liquidificador de mão para tomada.
3. Coloque clara de ovo no copo, em geral, colocar duas claras de ovo é suficiente.
4. Abaixar o liquidificador de mão na comida e pressione o interruptor na parte superior da unidade motora.
5. Para parar o liquidificador de mão, solte o interruptor na parte superior da unidade motora.

Fixando o colchete de parede

Você pode fixar o colchete de parede como seguintes:

- 1) Fure dois buracos mesmo na parede e seguir estritamente a dimensão como indicado na fig.4.
- 2) Bata dois tubos plásticos neles com o martelo.
- 3) Fixe o colchete de parede com os outros dois parafusos.

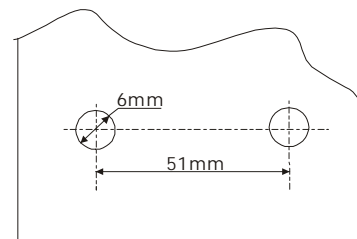


Fig. 4

CUIDADOS E LIMPEZA

1. Desligue o aparelho e remova a haste destacável.
Nota: Não mergulhe a haste destacável do liquidificador em água por causa de horas extras da lubrificação dos rolamentos pode lavar. Lave a haste destacável com água-viva, sem o uso de limpeza abrasivos ou detergentes. Depois de terminar a limpeza do haste destacável, colocá-lo na vertical para que a água que pode ter entrou, pode escorrer para fora. A haste é o componente seguro de lavar loiça.
2. Lave o copo, a taça talhador, o batedor e a lâmina em água cheia com sabão. A taça e o batedor não são recomendadas para colocar na máquina de lavar loiça como o componente plástico vai se deteriorar com o uso prolongado de limpeza da máquina lavar loiça.
3. Limpe a unidade motora com um pano úmido. Nunca o mergulhe em água para limpeza como o choque elétrico pode ocorrer.
4. Seque bem.
5. Remontar a haste do liquidificador para a unidade motora, em seguida, colocá-lo na posição vertical no colchete de parede (ver Fig.5) ou pendurá-lo para economizar o espaço.

Limpeza rápida

Entre as tarefas de processamento, segure o liquidificador de mão num copo meia cheia de água e gire por alguns segundos.

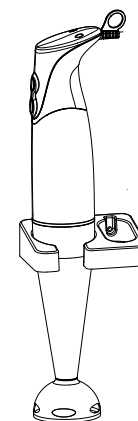


Fig. 5

TERMO DE GARANTIA

**FAVOR ANEXAR AQUI SEU RECIBO/FISCAL DE COMPRA.
EM CASO DE RECLAMAÇÃO DURANTE O PRAZO DA GARANTIA ESTE RECIBO/
FISCAL DE COMPRA DEVE SER APRESENTADO JUNTAMENTE COM ESTA GARANTIA.**

Número do modelo	(Número do lote:)
Nome do produto	
Data da compra	
Local da compra	

1. A parte vendedora do produto (“vendedor”) ao comprador original deste produto (“comprador”) garante por meio deste que o produto é de boa qualidade e, está em perfeitas condições de funcionamento e, sem defeitos e adequado para uso doméstico normal por um período de 1 (um) ano a partir da data da compra (“período da garantia”) deste produto.
2. No caso em que o período de garantia não expirou e o produto não é de boa qualidade, ou em bom estado de funcionamento ou, está com defeito ou não é adequado para a sua finalidade em uso doméstico normal, o cliente pode, de acordo com o Paragrafo 3 ° abaixo, devolver o produto ao vendedor e ter as seguintes opções disponíveis:
 - 2.1 Nos primeiros 6 (seis) meses da garantia: para receber um reembolso do preço efetivamente pago ou a troca do produto para o mesmo produto ou similar do mesmo valor adquirido;
 - 2.2 Dentro dos segundos 6 (seis) meses da garantia: ter o produto trocado para o mesmo produto ou similar do mesmo valor comprado.
3. O vendedor não irá substituir o produto ou reembolsar o comprador de acordo com os termos desta garantia se o produto:
 - 3.1 for modificado contrariando as instruções fornecidas no manual do produto;
 - 3.2 sofrer uso inadequado, abuso ou modificação;
 - 3.3 for defeituoso ou não em condições de funcionamento devido ao desgaste natural
 - 3.4 for danificado devido a negligencia, imprudencia, comportamento malicioso ou criminoso por parte do comprador.
 - 3.5 for utilizado para fins comerciais.
4. Esta garantia aplica-se somente ao produto adquirido do vendedor, não cobrindo quaisquer itens agregados ou instalados no produto pelo comprador.
5. Qualquer reclamação nos termos desta garantia deve ser acompanhada da prova original de compra.
6. Note que o item de troca só irá transportar o saldo do período de garantia a partir da data de compra original.

INTRODUCTION

Merci d'avoir choisi notre Malaxeur manuel « Platinum ». Chaque unité a été fabriquée pour assurer la sécurité, la fiabilité et la facilité d'utilisation. Avant l'utilisation, veuillez lire attentivement ces instructions et les conserver pour référence future.

MESURES DE SÉCURITÉ IMPORTANTES

Lorsque vous utilisez votre Malaxeur manuel « Platinum », les précautions de base doivent toujours être respectées, y compris les suivantes:

- Le cordon d'alimentation endommagé doit être remplacé par le fabricant, son agent de service ou des personnes de qualification similaire afin d'éviter tout danger.
- Cet appareil n'est pas destiné à être utilisé par des personnes (enfants compris) dont les capacités physiques, sensorielles ou mentales sont réduites, ou avec le manque d'expérience et de connaissance, sauf si elles sont surveillées ou ont été données des instructions concernant l'utilisation de l'appareil par une personne responsable de leur sécurité.
- Les enfants doivent être surveillés pour assurer qu'ils ne jouent pas avec l'appareil.
- Toujours s'assurer que la tension sur la plaque signalétique correspond à la tension dans votre maison.
- Vérifiez le cordon d'alimentation et la prise régulièrement pour éviter tout dommage. Si le cordon ou la fiche est endommagé, il doit être remplacé par le fabricant ou une personne qualifiée afin d'éviter un risque électrique.
- Cet appareil est destiné à un usage domestique. L'utilisation industrielle ou commerciale annulera la garantie, et le fournisseur ne peut être tenu responsable des blessures ou des dommages causés lors de l'utilisation de l'appareil à des fins autres que celles destinées.
- Une mauvaise manipulation ou une utilisation incorrecte peut endommager l'appareil et causer des blessures à l'utilisateur.
- Ne pas utiliser l'appareil s'il est tombé ou endommagé de quelque façon. En cas de dommages, l'examen et/ou la réparation doit être réalisé par un technicien agréé.
- Pour réduire le risque de choc électrique, ne pas immerger ou exposer l'ensemble moteur, la fiche ou le cordon d'alimentation à l'eau ou tout autre liquide.
- Ne jamais plonger l'appareil dans l'eau ou tout autre liquide pour le nettoyage.
- Retirez la fiche de la prise en saisissant la fiche. Ne tirez pas sur le cordon pour débrancher l'appareil. Toujours débranchez l'appareil lorsqu'il n'est pas utilisé, avant de le nettoyer ou lorsque vous ajoutez ou retirez des pièces.
- L'utilisation d'accessoires qui ne sont pas recommandés ou fournis par le fabricant peut entraîner des blessures, un incendie ou un choc électrique.
- Ne laissez pas le cordon pendre sur le bord d'une table ou un comptoir. Assurez-vous que le cordon n'est pas dans une position où il peut être tiré par inadvertance.
- Ne pas laisser le cordon toucher des surfaces chaudes et ne le placez pas sur ou près d'un brûleur à gaz ou électrique ou dans un four chauffé.

FRANÇAIS

- L'utilisation d'un cordon de rallonge avec cet appareil n'est pas recommandée. Toutefois, s'il est nécessaire d'utiliser une rallonge, assurez-vous que la rallonge est adaptée à la consommation d'énergie de l'appareil pour éviter la surchauffe de la rallonge, de l'appareil ou du point prise. Ne placez pas la rallonge dans une position où il peut être tiré par des enfants ou des animaux ou trébuchée. Cet appareil n'est pas adapté pour une utilisation en extérieur. Ne pas utiliser cet appareil pour autre chose que son utilisation prévue.
- Ne pas transporter l'appareil par le cordon d'alimentation.
- Ne pas toucher les surfaces CHAUDES directement. Utilisez les poignées ou les boutons.
- Ne pas laisser cet appareil rester sans surveillance pendant l'utilisation. Toujours débranchez l'appareil lorsqu'il n'est pas utilisé. Laissez refroidir avant de mettre ou enlever des pièces, et avant de le nettoyer.
- Toujours faites fonctionner l'appareil sur une surface lisse, plane et stable. Ne pas placer l'appareil sur une surface chaude.
- Le fabricant n'accepte aucune responsabilité pour tout dommage ou blessure causé par l'utilisation impropre ou incorrecte de l'appareil, ou par des réparations effectuées par le personnel non autorisé.
- En cas de problèmes techniques, éteignez la machine et ne pas tenter de réparer vous-même. Retournez l'appareil à un centre de service autorisé pour examen, ajustement ou de réparation. Toujours insistez sur l'utilisation de pièces de rechange originales. Le défaut de se conformer avec les précautions mentionnées ci-dessus et les instructions, pourrait affecter le bon fonctionnement de cet appareil.
- Éviter tout contact avec les pièces mobiles.
- Garder les mains et les ustensiles hors du récipient tout en mélangeant afin de réduire les risques de blessures graves à des personnes ou des dommages au mélangeur. Un racleur peut être utilisé mais doit être utilisé uniquement lorsque le malaxeur ne fonctionne pas.
- L'appareil ne peut pas être utilisé pour hacher de la glace ou le mélange de substances dures et sèches, sinon la lame pourrait être émoussée.
- Pour réduire le risque de blessure, ne jamais placer la lame de coupe à la base sans mettre d'abord le bol en place correctement.
- S'assurer que le couvercle de l'hachoir est bien verrouillé en place avant l'exploitation de l'appareil.

CONNAITRE VOTRE MALAXEUR

1. Tige du mélange détachable

2. Unité du moteur

3. Balai

4. Hachoir détachable

5. Bol de l'hachoir

6. Tasse du mélange

7 Support mural



SPECIFICATION

Vitesse : 2 vitesses
 Tension : 230V~ 50Hz
 Puissance : 300W

Prise	Article n°	Modèle n° / Article n°	EAN
VDE Prise	10340366	HB989 (SR 709385-2)	6001001430647
3 Broches Plates	10532242	HB989 (SR 774423-5)	6001224344288
Schuko	10532243	HB989 (SR 774425-9)	6001224344295

UTILISER VOTRE MALAXEUR MANUEL

Vous devez lire toutes les instructions avant l'utilisation.

Avant la première utilisation, nettoyer le malaxeur en fonction de la section de "nettoyage rapide".

L'unité de temps de fonctionnement sans charge ne peut dépasser 15 secondes.

Important: Les lames sont très coupantes, manipuler avec soin. Assurez-vous que le malaxeur est débranché de la prise de courant avant d'assembler ou de supprimer les pièces jointes.

Nota:

- Éviter tout contact avec les pièces mobiles.
- Garder les mains et les ustensiles hors du récipient tout en mélangeant afin de réduire les risques de blessures graves à des personnes ou des dommages au malaxeur. Un racleur peut être utilisé mais doit être utilisé uniquement lorsque le malaxeur ne fonctionne pas.
- L'appareil ne peut pas être utilisé pour hacher de la glace ou le mélange de substances dures et sèches, sinon la lame pourrait être émoussée.
- Pour réduire le risque de blessure, ne jamais placer la lame de coupe à la base sans mettre d'abord le bol en place correctement.
- S'assurer que le couvercle de l'hachoir est bien verrouillé en place avant l'exploitation de l'appareil.

POUR UTILISER VOTRE MALAXEUR MANUEL

Nota : Il est recommandé de faire fonctionner l'appareil ne dépassant pas une minute pour chaque période du mélange. L'appareil doit être arrêté pour refroidir à la température ambiante avant de l'utiliser à nouveau

Instruction du malaxeur manuel

Malaxeur (Il est adapté pour le mélange de légumes et des fruits)

1	interrupteur à basse et haute vitesse(du haut en bas, non indiqué)	
2	Unité du moteur	
3	tige amovible du mélange(le tourner à sens anti-horaire pour verrouiller le moteur, pour déverrouiller, le tourner à direction inverse)	
4	Lame(non indiquée)	
5	Tasse du mélange(la capacité maxi est 700mL, il est idéal pour faire des mesures et préparer les petites quantités de nourriture traitée.	
6	Support mural(accrocher le malaxeur ou la tige détachable dans le grand trou après l'utilisation)	

1. Pour assembler la tige amovible du mélange avec le bloc moteur, tourner l'arbre à sens anti-horaire jusqu'au serrage. Pour démonter, il suffit de tourner dans le sens inverse.
2. Il suffit de brancher le malaxeur de la prise de courant.
3. Baisser le malaxeur à main dans la nourriture et déprimer l'interrupteur en haut de l'appareil moteur.
4. Pour arrêter le malaxeur en relâchant l'interrupteur en haut de l'unité du moteur.

Instruction de l'hachoir

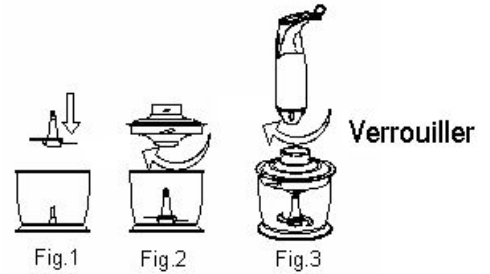
Accessoire-hachoir (Utilisation pour hacher la viande et faire la pâte d'ail)

1	Unité du moteur(tourner l'unité du moteur en sens anti-horaire pour verrouiller le couvercle de l'hachoir	
2	Couvercle de l'hachoir détachable(tourner le couvercle en sens anti-horaire pour verrouiller avec le bol de l'hachoir, pour déverrouiller, le tourner en direction inverse)	
3	Lame de l'hachoir détachable(la lame est très tranchante. Manipuler avec soin en vue d'éviter des coupes, toujours manipuler la manchon plastique)	
4	Bol de l'hachoir (placer la nourriture dans le bol avant d'attacher le couvercle de l'hachoir)	

1. Placer le bol de l'hachoir sur une surface propre et plane.
2. Assembler la lame en acier inoxydable dans le bol de l'hachoir, comme indiqué dans la Fig.1.
3. Placer la nourriture dans le bol de l'hachoir.

Nota: retirer l'os de la viande, couper le petit morceau, puis placer la viande dans un bol, la quantité maximale de la viande ne peut pas dépasser 200g pour chaque mélange.

4. Fixer le couvercle sur le bol de l'hachoir et le tourner dans le sens horaire jusqu'à ce qu'il se verrouille en position. (voir Fig.2) . Pour détacher le couvercle, tourner dans le sens inverse.
5. Insérer la partie supérieure de l'hachoir dans le trou du couvercle de l'hachoir, et tourner dans le sens horaire pour le verrouiller. (Voir Fig.3)
6. Brancher l'appareil à la prise d'alimentation et appuyer sur l'interrupteur pour commencer l'opération.
7. Pour arrêter l'appareil relâcher l'interrupteur en haut de l'appareil moteur.



Attention:

- Pour réduire le risque de blessure, ne jamais placer la lame de coupe à la base sans mettre d'abord le bol en place correctement.
- S'assurer que le couvercle de l'hachoir est bien verrouillé en place avant l'exploitation de l'appareil.

Instruction du batteur du blanc d'oeuf

Accessoire- batteur du blanc d'oeuf (pour mélanger le blanc d'oeuf)

1	Unité du moteur(tourner l'unité du moteur en sens anti-horaire pour verrouiller avec le batteur)	
2	Balai (il est utilisé pour battre le blanc d'oeuf, le blanc d'oeuf battu peut faire la crème)	
3	tasse du mélange(placer le blanc de deux oeufs dans la tasse pour une fois)	

1. Pour assembler le batteur du blanc d'oeuf avec le bloc moteur, tourner le balai en direction anti-horaire jusqu'à ce qu'il soit serré. Pour démonter, il suffit de tourner dans le sens inverse.
2. Il suffit de brancher le malaxeur à prise de courant.
3. Placer le blanc de l'oeuf dans la tasse, en général, mettre deux blancs d'oeuf est suffisant.
4. Baisser le malaxeur à main dans la nourriture et déprimer l'interrupteur en haut de l'appareil moteur.
5. Pour arrêter le Malaxeur à main libérer l'interrupteur en haut de l'appareil moteur.

Fixation du support mural

Vous pouvez fixer le support mural comme suit :

- 1) Percer deux trous identiques dans le mur et suivre strictement la dimension comme indiquée dans la figure 4.
- 2) Frapper deux tubes en plastique en eux avec un marteau.
- 3) Fixer le support sur le mur avec une autre de deux vis.

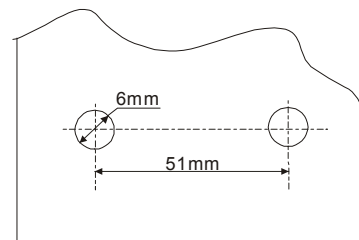


Fig. 4

ENTRETIEN ET NETTOYAGE

1. Débrancher l'appareil et enlever la tige amovible.

Nota: Ne pas immerger la tige amovible du malaxeur dans l'eau parce que les heures supplémentaires de la lubrification des roulements peuvent laver. Laver la tige amovible sous l'eau courante, sans utiliser de produits abrasifs ou de détergents. Après avoir terminé le nettoyage de la tige amovible, la placer debout afin que toute l'eau qui peut entrer soit évacuée. La tige est un composant de vaisselle sécurisée.

2. Laver la tasse, le bol de l'hachoir, le batteur et la lame dans de l'eau tiède savonneuse. Le bol et le batteur ne sont pas recommandés de placer dans le lave-vaisselle car le composant en plastique se détériore par l'usage prolongé de nettoyage sans le lave-vaisselle.
3. Essuyer le bloc moteur avec un chiffon humide. Ne jamais l'immerger dans de l'eau pour le nettoyage car un choc électrique peut se produire.
4. Dry thoroughly. Sécher soigneusement.
Attention: Les lames sont très coupantes, manipuler avec soin.
5. Remonter la tige du mélangeur au moteur, puis le placer en position verticale dans le support mural (voir Fig.5) ou l'accrocher pour économiser de l'espace.

Nettoyage rapide

Entre les tâches de traitement, maintenir le malaxeur manuel dans la demi-tasse remplie d'eau et allumer pendant quelques secondes.

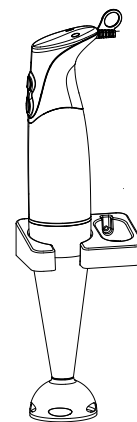


Fig. 5

GARANTIE

**APPOSEZ VOTRE REÇU/PREUVE D'ACHAT À CET EMPLACEMENT.
EN CAS DE RÉCLAMATION COUVERTE PAR LA GARANTIE, LE REÇU /LA PREUVE
D'ACHAT MENTIONNÉS AUPARAVANT DOIVENT ÊTRE JOINTS À CETTE GARANTIE.**

Numéro de modèle	(Numéro de lot:)
Nom du produit	
Date d'achat	
Lieu d'achat	

1. La partie qui vend le produit ("le vendeur") à l'acheteur original de ce produit ("le client") assure que ce produit sera de bonne qualité et, en bon état de fonctionnement et, sans défaut, et adapté à l'usage pour lequel il est prévu, sous des conditions normales d'utilisation domestique, pendant une période d'1 (un) an à partir de la date d'achat du produit (période de garantie).
2. Au cas la période de garantie ne soit pas écoulée et que le produit ne soit plus en bon état ou en état de marche, qu'il soit défectueux ou ne soit plus approprié à son usage prévu dans des conditions normales d'utilisation domestique, le client peut, sous réserve de remplir les conditions du Paragraphe 3 ci-dessous, retourner le produit au revendeur et dispose des possibilités suivantes :
 - 2.1 Durant les 6 (six) premiers mois de garantie: être remboursé à hauteur du prix d'achat ou échanger le produit contre un produit identique ou similaire dont le prix correspond au prix payé.
 - 2.2 Après les 6 (six) premiers mois de garantie: échanger le produit contre un produit identique ou similaire dont le prix correspond au prix payé.
3. Dans les conditions de cette garantie, le produit ne sera ni remplacé, ni remboursé si celui-ci:
 - 3.1 a été modifié contrairement aux instructions fournies dans le manuel du produit;
 - 3.2 a été mal utilisé, maltraité ou altéré;
 - 3.3 est défectueux ou en mauvais état de fonctionnement suite à une usure normale.
 - 3.4 est endommagé suite à une faute grave du client, ou à un comportement insouciant, malintentionné ou délictueux;
 - 3.5 a été employé pour un usage commercial.
4. Cette garantie ne s'applique qu'au produit qui a été acheté au vendeur et non pas à un quelconque accessoire attaché ou installé sur le produit par le client.
5. Toute réclamation liée à cette garantie doit être accompagnée par la preuve originale d'achat.
6. Remarquez que l'élément d'échange portera le solde de la durée de la garantie à partir de la date d'achat d'origine.